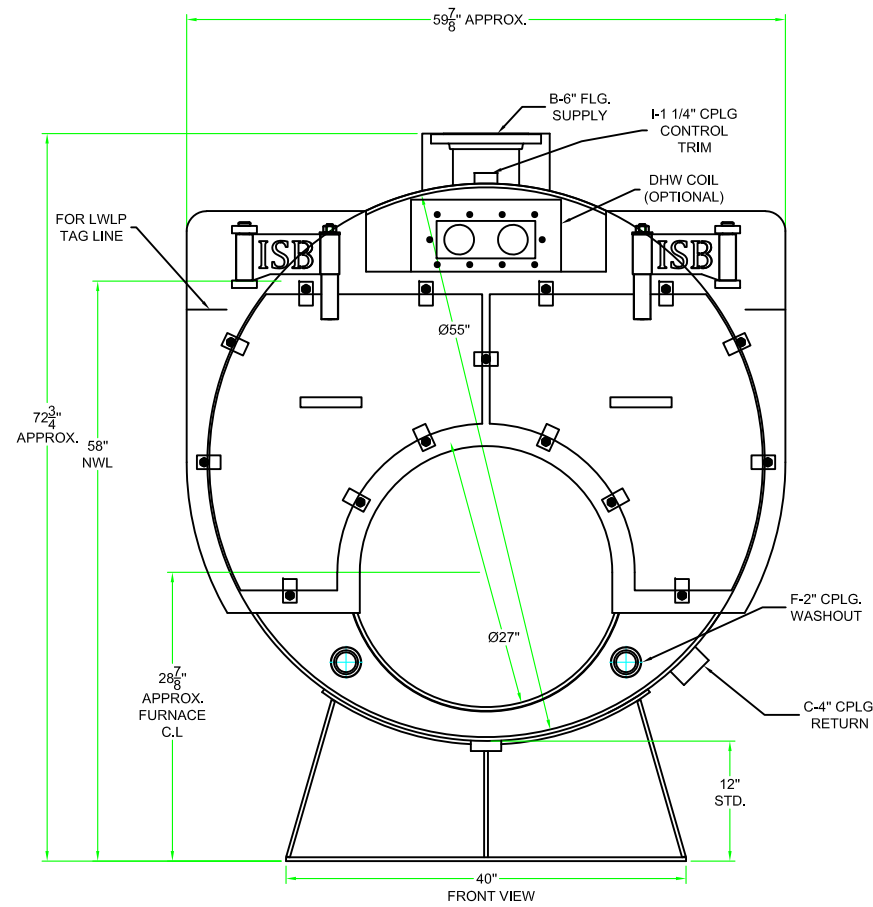
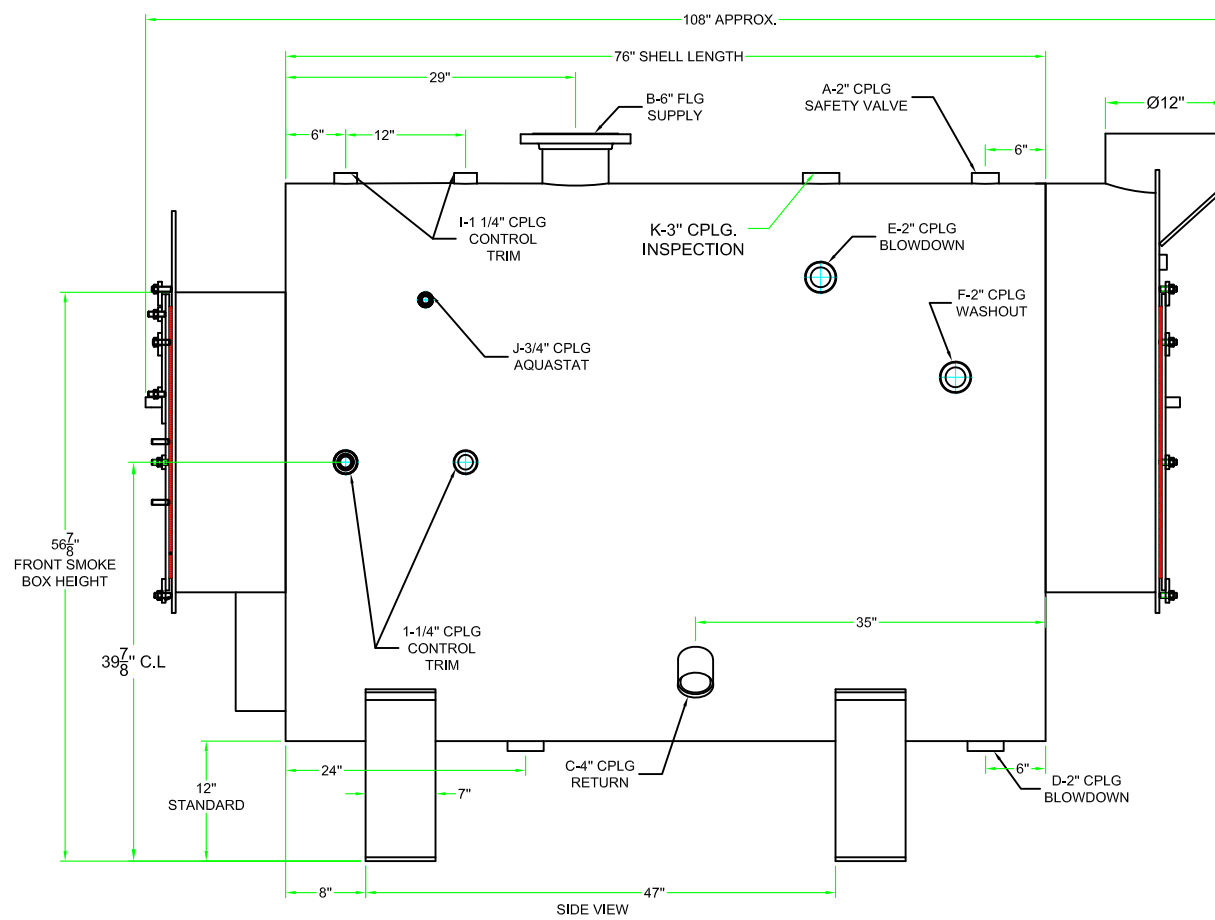


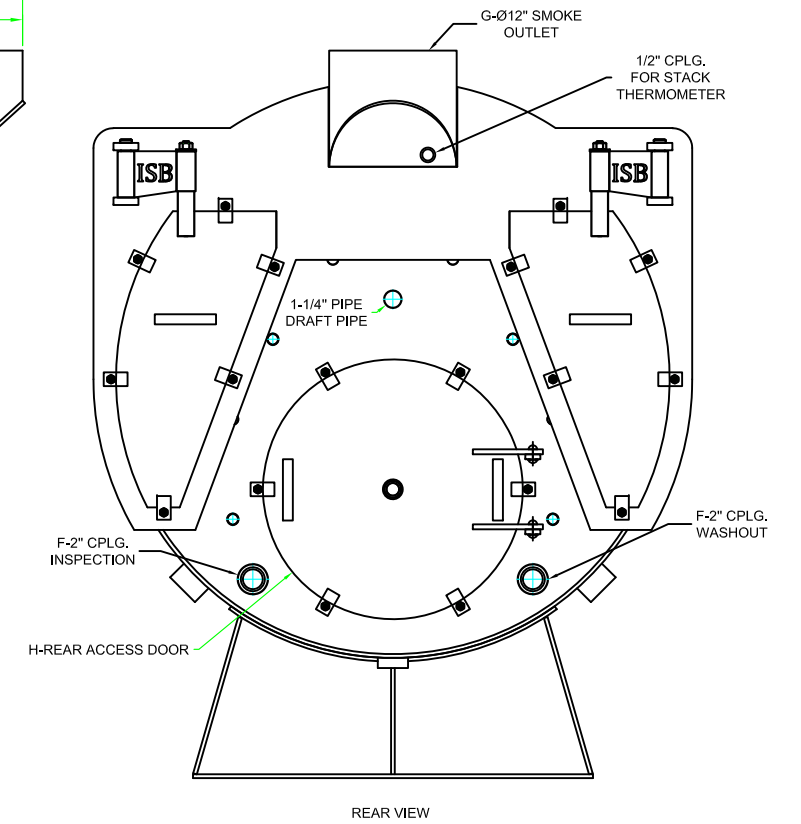
TOP VIEW



FRONT VIEW



SIDE VIEW



REAR VIEW

| | |
|-------------------------------------|-----------|
| DRAWN BY MJA | 9/13/2023 |
| CHECK BY THOMAS FRANCUCCO | 9/13/2023 |
| QUALITY CONTROL THOMAS FRANCUCCO | 9/13/2023 |

INDUSTRIAL STEAM BOILER CORPORATION
 70 LAMBERT AVE, COPIAGUE, NY 11726
 Ph: 1-718-665-0888

THIS DOCUMENT CONTAINS CONFIDENTIAL INFORMATION WHICH IS THE PROPERTY OF INDUSTRIAL STEAM BOILER CORP. THIS DOCUMENT MAY NOT BE REPRODUCED, TRANSFERRED OR USED, OR ITS CONTENTS DISCLOSED, WITHOUT THE WRITTEN PERMISSION OF THE OWNER.

50 HP 3 PASS (15 PSI STEAM)
 FRONT, SIDE, REAR & TOP VIEW

| | | | | |
|---------|--------------|-----------|-----------------------|----------|
| PROJECT | SIZE B | SERIAL NO | DWG NO. ISB3-50SD1 | REV 0 |
| | SCALE 1:2 | SHEET #1 | | |